




**DL50 • DLM60 • DLV68**  
 MINI THROUGH BEAM SENSOR  
 with separate amplifier

- ◉ high range
- ◉ high power reserve
- ◉ highly flexible connecting cable
- ◉ robust design



<ul style="list-style-type: none"> <li>• Ø 5 mm x 13 mm</li> <li>• Stainless steel</li> <li>• f. gluing and clamping fixture</li> </ul>	<p><b>DL50</b></p>  <p>Actual size</p>
<ul style="list-style-type: none"> <li>• M6 x 0,5 mm x 13 mm</li> <li>• Nickel-plated brass</li> <li>• f. screw-in fixture</li> </ul>	<p><b>DLM60</b></p>  <p>Actual size</p>
<ul style="list-style-type: none"> <li>• 6 mm x 8 mm x 12 mm</li> <li>• Nickel-plated brass</li> <li>• f. screw-in fixture</li> </ul>	<p><b>DLV68</b></p>  <p>Actual size</p>

**GENERAL TECHNICAL DATA**

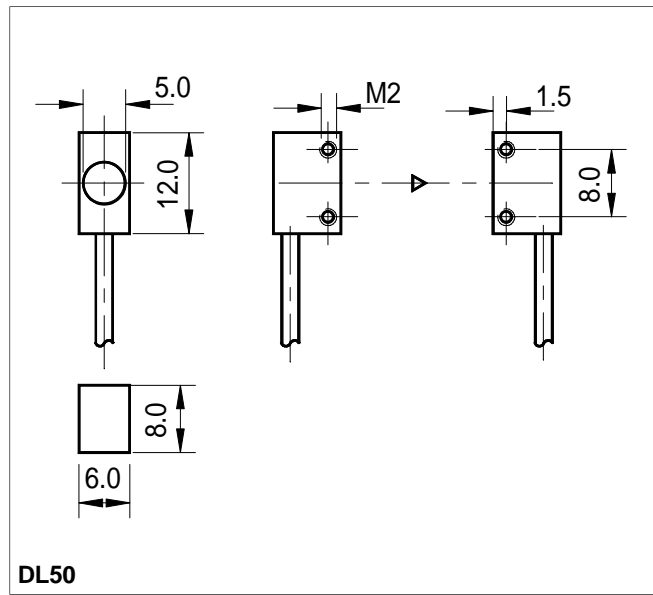
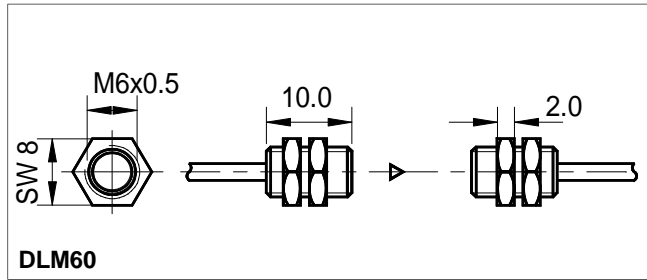
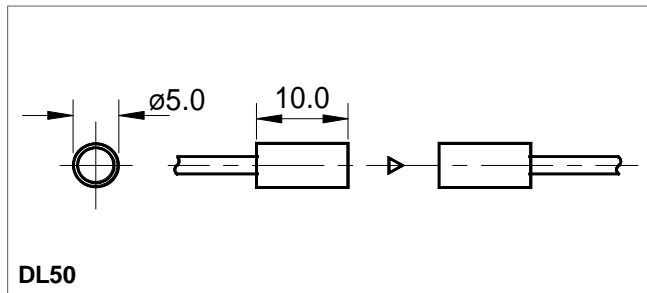
<b>light type</b>	Red 660nm or Infrared 880nm
<b>connection type</b>	PUR-cable with connector
<b>temperature range</b>	-10°C to +55°C
<b>protection class</b>	IP 65

**SMALLEST OBJECT and SENSING DISTANCE**

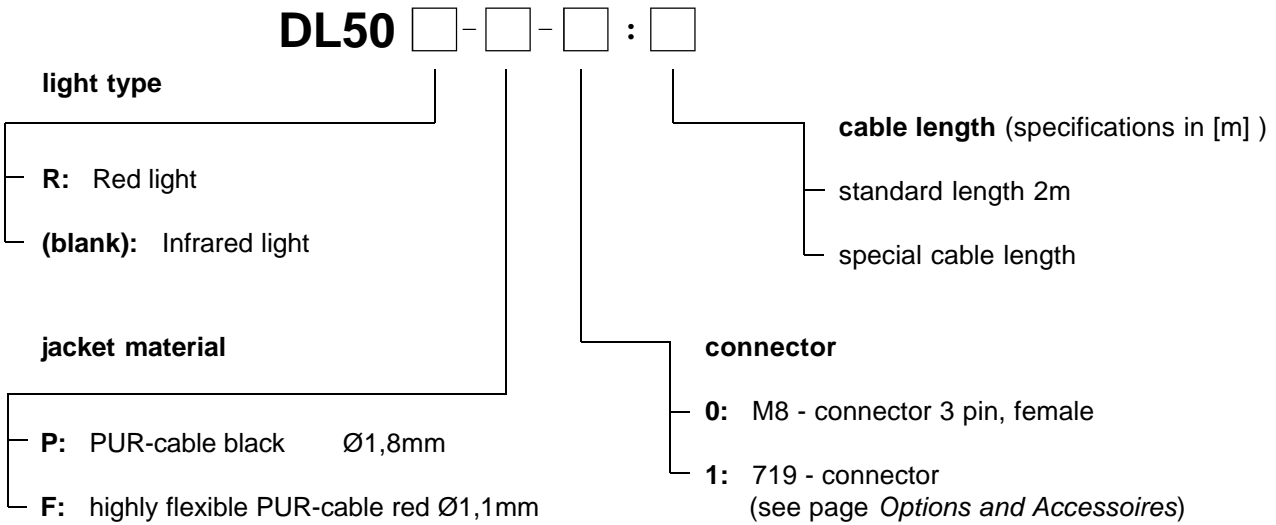
<b>sensing distance</b>	4000 mm
<b>smallest object (Ø copper wire)*</b>	0,4 mm

\*copper wire of infinite length

**DIMENSIONS**



**PART DESIGNATION**



**ORDER EXAMPLE:**

DL50R-P-0:1m = DL50 Red light - PUR-cable black - M8, 3 pin female: (cable length 2m x 2)

**Please remember, for correct operation, a separate amplifier is required.**